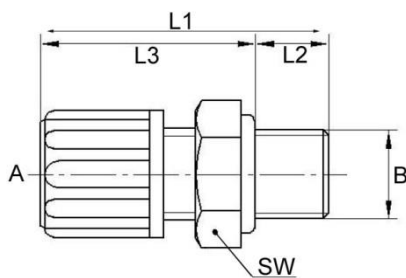


Chemically resistant to almost all inorganic acids and bases, even in high concentrations and at temperatures greater than 90 °C.

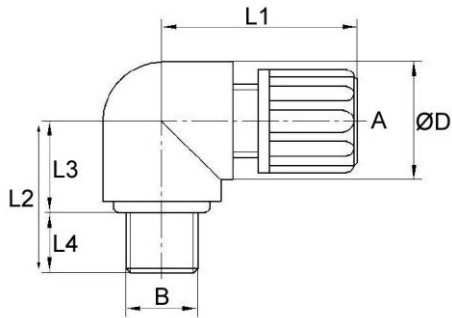
Material: Polypropylene (PP)  
 Operating pressure: Dependent on operating temperature  
 max. 10 bar (at 20 °C)  
 max. 2,5 bar (at 90 °C)  
 Operating temperature: Max. 90 °C



120.11-PP

### Male connectors with male G thread

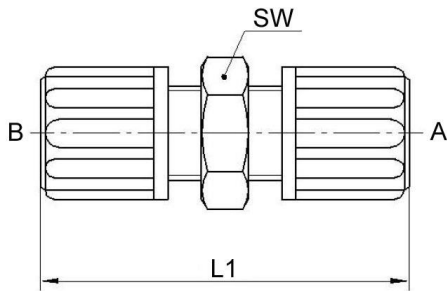
Art. No.	Ident No.	Thread (B)	For hose Ø (A)	L1 mm	L2 mm	L3* mm	a/f mm
120.01-PP	110848	G 1/8	4/6	31.5	8.0	23.5	14
120.02-PP	110849	G 1/8	6/8	36.5	8.0	28.5	17
120.03-PP	110850	G 1/8	8/10	40.5	8.0	32.5	19
120.04-PP	110851	G 1/8	9/12	44.5	8.0	36.5	22
120.11-PP	110852	G 1/4	4/6	37.0	12.0	25.0	17
120.12-PP	110853	G 1/4	6/8	41.0	12.0	29.0	17
120.13-PP	110854	G 1/4	8/10	45.0	12.0	33.0	19
120.14-PP	110855	G 1/4	9/12	49.0	12.0	37.0	22
120.21-PP	110856	G 3/8	4/6	38.5	12.0	26.5	22
120.22-PP	110857	G 3/8	6/8	42.5	12.0	30.5	22
120.23-PP	110858	G 3/8	8/10	45.5	12.0	33.5	22
120.24-PP	110859	G 3/8	9/12	49.5	12.0	37.5	22
120.31-PP	110860	G 1/2	4/6	43.0	14.0	29.0	27
120.32-PP	110861	G 1/2	6/8	47.0	14.0	33.0	27
120.33-PP	110862	G 1/2	8/10	50.0	14.0	36.0	27
120.34-PP	110863	G 1/2	9/12	54.0	14.0	40.0	27



140.61-PP

**Male elbows with male G thread**

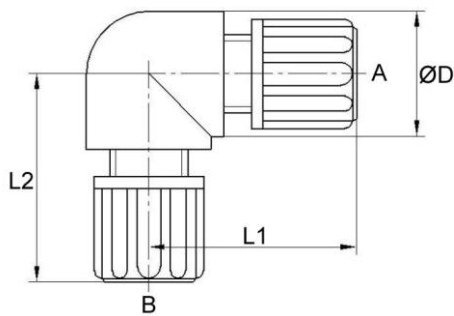
Art. No.	Ident No.	Thread (B)	For hose mm (A)	L1* mm	L2 mm	L3 mm	L4 mm	Ø D mm
140.51-PP	110864	G 1/8	4/6	25.0	20.0	12.0	8.0	13,0
140.52-PP	110865	G 1/8	6/8	30.0	23.0	15.0	8.0	15,0
140.53-PP	110866	G 1/8	8/10	36.0	25.0	17.0	8.0	20,0
140.54-PP	110867	G 1/8	9/12	40.0	27.0	19.0	8.0	20,0
140.61-PP	110868	G 1/4	4/6	26.0	25.0	13.0	12.0	15,0
140.62-PP	110869	G 1/4	6/8	30.0	27.0	15.0	12.0	15,0
140.63-PP	110870	G 1/4	8/10	36.0	32.0	17.0	12.0	20,0
140.64-PP	110871	G 1/4	9/12	40.0	31.0	19.0	12.0	20,0
140.71-PP	110872	G 3/8	4/6	29.0	30.0	15.0	12.0	20,0
140.72-PP	110873	G 3/8	6/8	33.0	27.0	15.0	12.0	20,0
140.73-PP	110874	G 3/8	8/10	36.0	29.0	17.0	12.0	20,0
140.74-PP	110875	G 3/8	9/12	40.0	31.0	19.0	12.0	20,0
140.81-PP	110876	G 1/2	4/6	32.0	29.0	15.0	14.0	25,0
140.82-PP	110877	G 1/2	6/8	36.0	29.0	15.0	14.0	25,0
140.83-PP	110878	G 1/2	8/10	39.0	31.0	17.0	14.0	25,0
140.84-PP	110879	G 1/2	9/12	43.0	33.0	19.0	14.0	25,0



140.01-PP

### Hose connectors

Art. No.	Ident No.	For hose mm	L1* mm	a/f mm
140.01-PP	110880	4/6	39.0	14
140.02-PP	110881	6/8	49.0	19
140.03-PP	110882	8/10	55.0	22
140.04-PP	110883	9/12	64.0	24



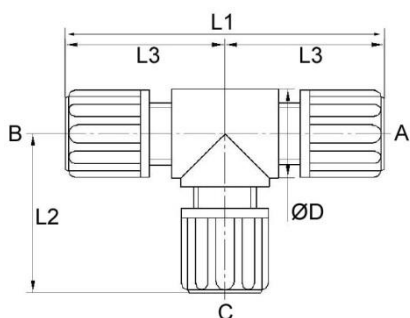
140.11-PP

### Elbow hose connectors

Art. No.	Ident No.	For hose mm	L1* mm	L2* mm	Ø D mm
140.11-PP	110884	4/6	25.0	25.0	13.0
140.12-PP	110885	6/8	30.0	30.0	15.0
140.13-PP	110886	8/10	36.0	36.0	20.0
140.14-PP	110887	9/12	43.0	43.0	20.0

# Tube fittings

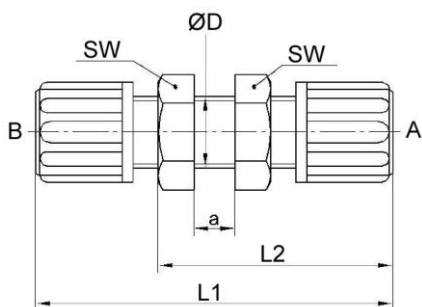
Polypropylene  
Art. No. 120.01-PP to 140.44-PP



140.21-PP

## Tee hose connectors

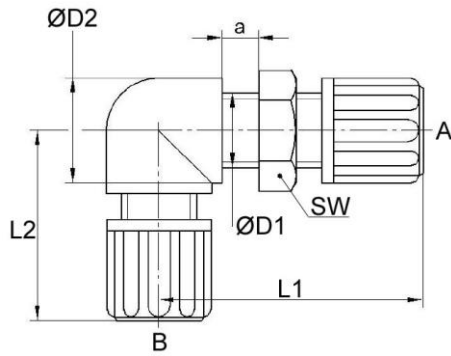
Art. No.	Ident No.	For hose mm	L1 mm	L2* mm	L3* mm	Ø D mm
140.21-PP	110888	4/6	52.0	26.0	26.0	12.0
140.22-PP	110889	6/8	62.0	31.0	31.0	15.0
140.23-PP	110890	8/10	72.0	36.0	36.0	20.0
140.24-PP	110891	9/12	80.0	40.0	40.0	20.0



140.31-PP

## Bulkhead couplings

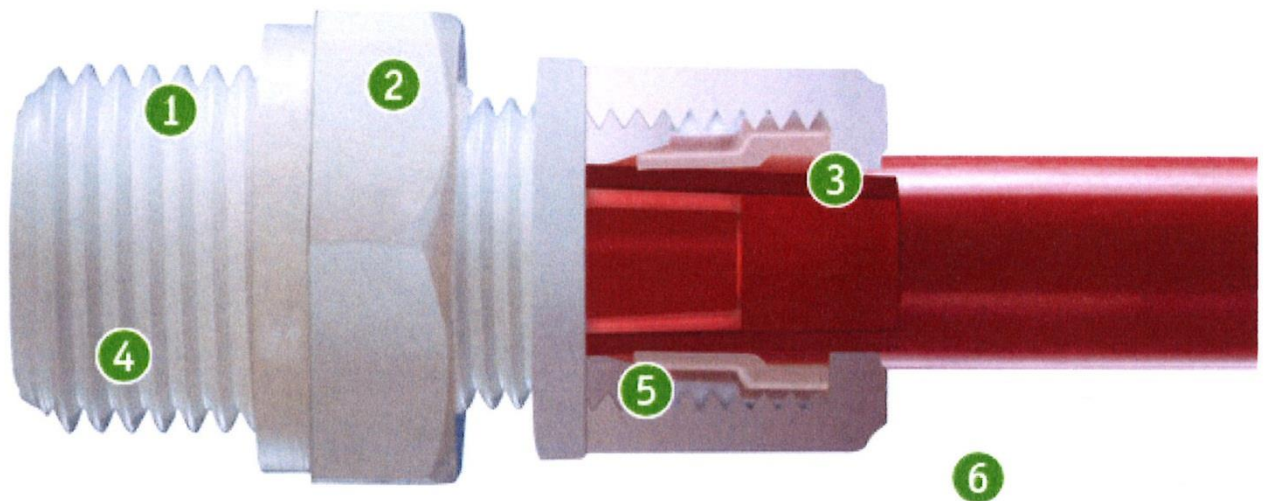
Art. No.	Ident No.	Thread	For hose mm	L1* mm	L2* mm	a mm	a/f mm	Ø D mm
140.31-PP	110892	M10x1.0	4/6	53.0	36.0	9.0	14	10.5
140.32-PP	110893	M14x1.5	6/8	64.0	43.0	9.0	19	14.5
140.33-PP	110894	M16x1.5	8/10	73.0	49.0	10.0	22	16.5
140.34-PP	110895	M18x1.5	9/12	84.0	56.0	12.0	24	18.5



140.41-PP

Art. No.	Ident No.	Thread	For hose mm	L1* mm	L2* mm	a mm	a/f mm	Ø D1 mm	Ø D2 mm
140.41-PP	110896	M10x1.0	4/6	43.0	25.0	9.0	14	10.5	13.0
140.42-PP	110897	M14x1.5	6/8	53.0	33.0	9.0	19	14.5	20.0
140.43-PP	110898	M16x1.5	8/10	58.0	36.0	10.0	22	16.5	20.0
140.44-PP	110899	M18x1.5	9/12	67.0	43.0	12.0	24	18.5	20.0

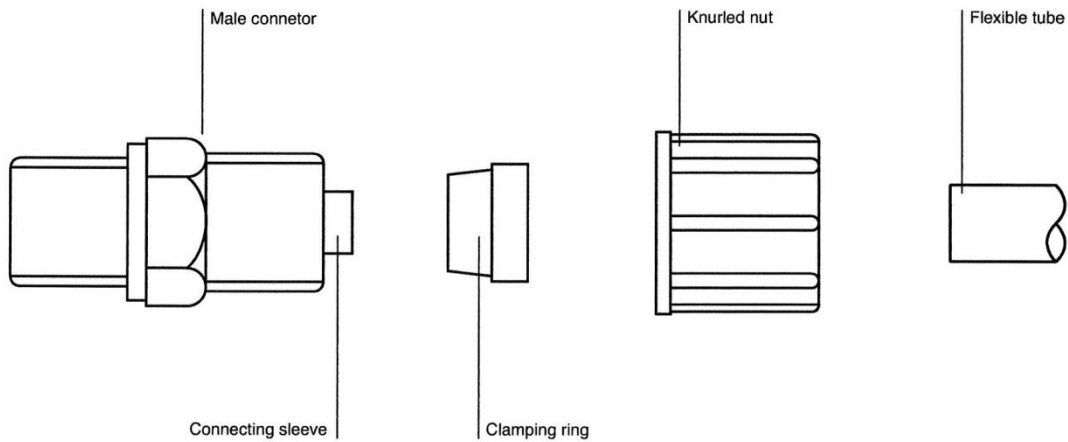
*\*for tube connections in inch add 2 mm*



1. Thread manufactured without seam⇒High tightness, long term stability
2. Hexagon manufactured according to DIN
3. Tube strain does not exceed 6%⇒Molecular structure of the flexible tube is preserved
4. Thread manufactured according to DIN
5. Connecting sleeve manufactured without seam⇒High tightness, long term stability
6. Connector available in PP

The connection principle used in this Series entails pushing the flexible tube onto an integrated connecting sleeve. The flexible tube is secured in place by a clamping ring, which is forced against the flexible tube by a knurled nut. The connecting sleeve for the flexible tube is nearly cylindrical. Its dimensions are calculated to prevent tube strain of more than 6% even with poor tolerances. The tension produced by the low tube strain is sufficient, however, to guarantee a tight tube connection up to 6 bar. Clamping ring and knurled nut secure the connection against longitudinal forces which could otherwise pull the flexible tube off the sleeve. The clamping ring is also designed to secure the flexible tube in place by intercepting any shear or torsional stresses. This ensures the utilization up to 10 bar\*. Thanks to its elasticity, the clamping ring can be used several times in the same connector.

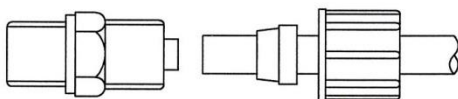
\*at ambient temperature – please see our pressure guide I



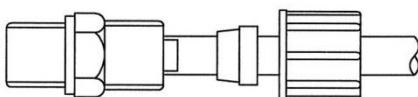
### TORQUE TABLE

Plastic	Thread				
	G 1/8"	G 1/4"	G 3/8"	G 1/2"	G 3/4"
PP	1.0–1.5 Nm	2.5 Nm	5.0–6.0 Nm	5.0 Nm	10.0 Nm

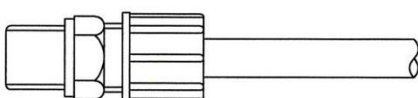
- Screw in the connector with the required torque (see table)
- Cut off the flexible tube at right angles
- Push the knurled nut and the clamping ring over the end of the flexible tube as shown



- Push the end of the flexible tube onto the connecting sleeve as far as the stop



- Screw on the knurled nut by hand and secure hand-tight



### Pressure use table I

Material:	PP
Pressure stage: <b>PN 10</b>	
20°C	100%
30°C	80%
40°C	70%
50°C	60%
60°C	50%
70°C	40%
80°C	30%
90°C	25%
100°C	20%
110°C	
120°C	
130°C	
140°C	
150°C	
160°C	
170°C	
180°C	
190°C	
200°C	
220°C	
230°C	
240°C	
250°C	